

THIS DRAWING IS UNPUBLISHED.

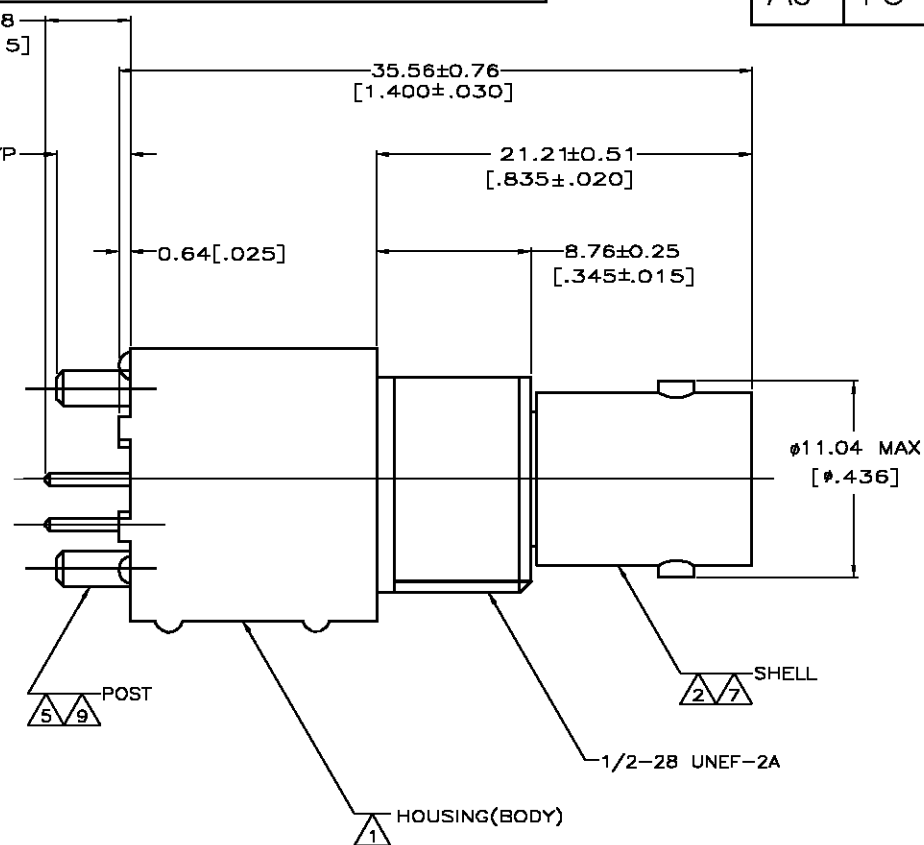
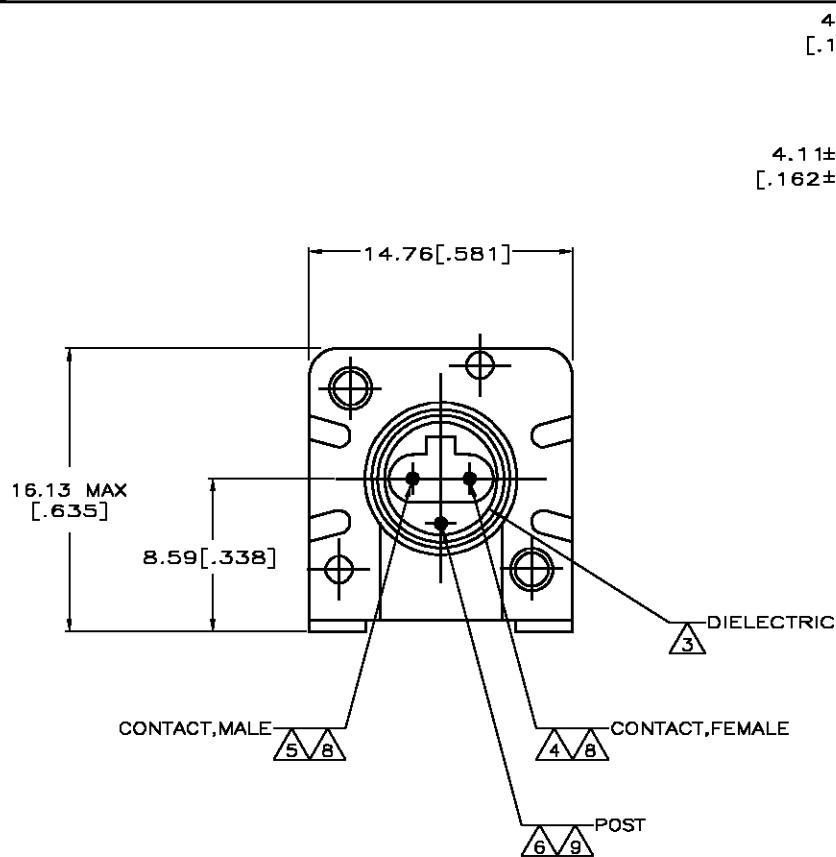
RELEASED FOR PUBLICATION

© COPYRIGHT BY TYCO ELECTRONICS CORPORATION. ALL RIGHTS RESERVED.

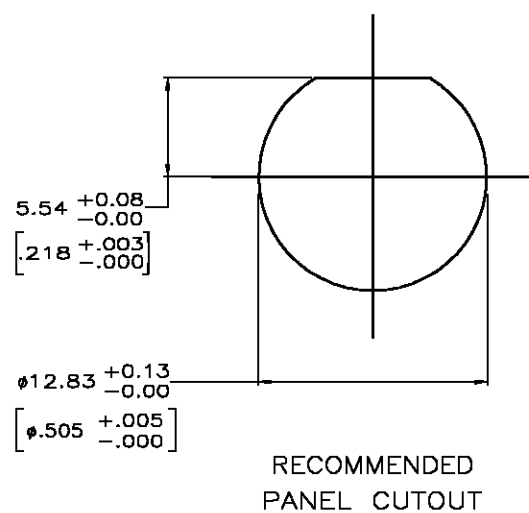
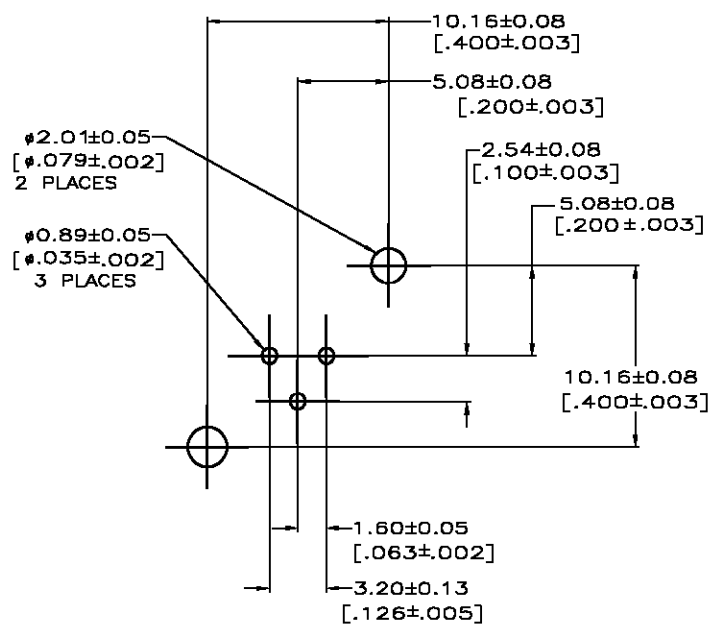
LOC AJ DIST 16

REVISIONS

P	LTR	DESCRIPTION	DATE	DWN	APVD
C		PER EC 0S14-0192.	30NOV04	JGH	JL



- △ POLYESTER, PBT, 15% GLASS FIBER REINFORCED, NATURAL, PER MIL-M-24519.
- △ ZINC PER QQ-Z-363.
- △ POLYMETHYLPENTENE, GENERAL PURPOSE.
- △ PHOSPHOR BRONZE PER QQ-B-750.
- △ BRASS PER QQ-B-626.
- △ BRASS PER ASTM-B-453.
- △ NICKEL PL PER QQ-N-290, 3.81 μ m [.000150] MINIMUM THICK
- △ GOLD PL PER MIL-G-45204, 0.76 μ m [.000030] MINIMUM THICK
- △ TIN PLATE PER ASTM-B-545, 3.81 μ m [.000150] MINIMUM THICK



PCB CONFIGURATION

RECOMMENDED PANEL CUTOUT

THIS DRAWING IS A CONTROLLED DOCUMENT.		DWN R. E. RUTH 10/22/90	Tyco Electronics Corporation Harrisburg, Pa 17105-3608													
DIMENSIONS: mm		CHK A. GABANY 3-6-91	NAME JACK, VERTICAL, PCB, SERIES TWIN BNC													
TOLERANCES UNLESS OTHERWISE SPECIFIED:		APVD A. GABANY 3-6-91	SIZE A3 CAGE CODE 00779 DRAWING NO C-221198 RESTRICTED TO													
<table border="1"> <tr><td>0 PLC</td><td>± -</td></tr> <tr><td>1 PLC</td><td>± -</td></tr> <tr><td>2 PLC</td><td>± 0.20 [.008]</td></tr> <tr><td>3 PLC</td><td>± -</td></tr> <tr><td>4 PLC</td><td>± -</td></tr> <tr><td>ANGLES</td><td>± -</td></tr> </table>		0 PLC	± -	1 PLC	± -	2 PLC	± 0.20 [.008]	3 PLC	± -	4 PLC	± -	ANGLES	± -	PRODUCT SPEC -	SCALE 5:1 SHEET 1 OF 1 REV C	
0 PLC	± -															
1 PLC	± -															
2 PLC	± 0.20 [.008]															
3 PLC	± -															
4 PLC	± -															
ANGLES	± -															
MATERIAL 1 2 3 4 5		APPLICATION SPEC -	CUSTOMER DRAWING													
FINISH 6 7 8 9		WEIGHT -														